

Overview

The 910 Series relampable lampholders accept any 900 Series cartridge lamp. The 911 Series lampholders accept any 901 Series cartridge lamp. These lampholders are of a ruggedized construction and are supplied with mounting hardware.

Approvals

UL Recognized and CSA Certified.

Specifications

Housing and Knurled Ring Nut: Aluminum. Black anodized finish standard. Clear anodized finish optional. Other finishes available on special request. A mounting wrench, #097013, is available for tightening the knurled ring nuts.

Hex Nut: Brass; nickel finish.

Internal Tooth Lockwasher: Nickel-plated finish.

Terminal Insulator: High dielectric composition.

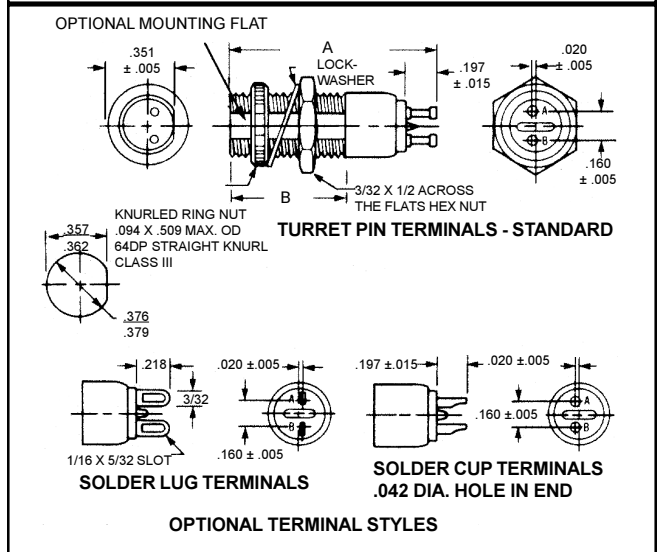
Terminals: Solder cup, turret pin or solder lug.

Lens Cap: Heat resistant, high strength polycarbonate.

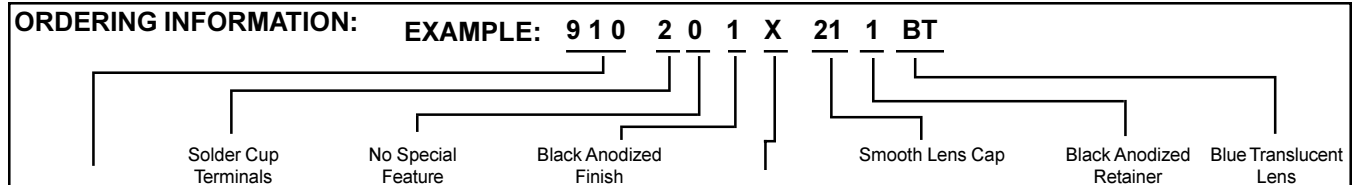
Lens Marking: Lens style 21 may be stamped. Contact factory.

910 Series Maximum Rating: 3 Watts, 125 Volts.

911 Series Maximum Rating: 3 Watts, 150 Volts.



Lampholder Body	Dimension in Inches	
	A	B
910	1.203 Max.	9/16
911	1.281 Max.	5/8



Series Number	Cartridge Lampholders				Lens Caps and Collars		
	Termination	Features	Finish	Resistor	Lens Style	Retainer Finish	Lens Color
910	2 Solder Cup	0 None	1 Black Anodized - Standard	X None Required	21 Smooth Lens	1	Nondiffusing (Clear)
911					27 Fluted Lens (Nondiffusing Colors Only)		Black Anodized
	3 Turret - standard	1 D Hole Mounting	2 Clear (Silver) Anodized		23 ¹ Collar	2	
	4 Solder Lug				24 ¹ Collar		Clear (Silver) Anodized

¹ No lens color specified. Use XX in lens color slot. Example: 901-201X-231XX.
² Use with blue or green neon lamps in the 911 series. Not for use with neon cartridge lamps in the 910 series.
³ Not recommended for use with neon cartridge lamps.